
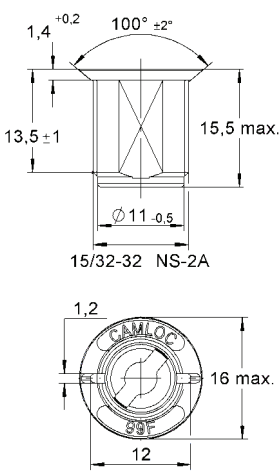

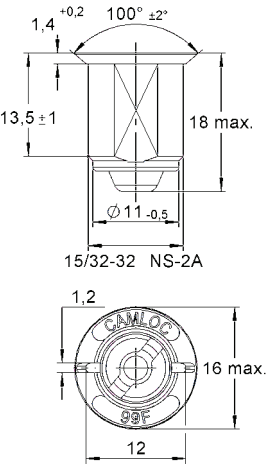
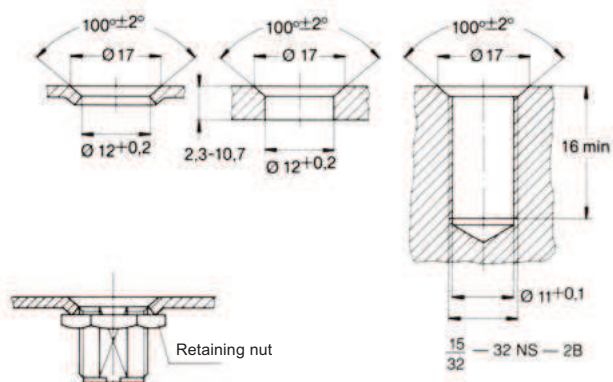
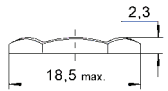
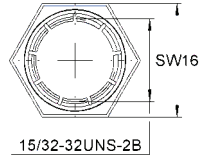


Style	Dimensions	Materials / Finish	°C	Part No.
<p><b>Open</b></p> 		Zinc die casting / zinc-plated, CrVI-free, clear passivation	100	<b>99R10-01A1</b>
<p><b>Encapsulated</b></p> 		Zinc die casting / zinc-plated, CrVI-free, clear passivation  Capsule: Stainless steel	100	<b>99E10-01</b>

## Receptacle Installation Instructions

Installation Dimensions	Accessories	Materials / Finish	Part No.
 <p>Retaining nut</p> <p>Installation torque 3 Nm</p>	<p>Retaining nut</p>   <p>Tap</p>	Steel / zinc-plated, CrVI-free, clear passivation	<b>99N10-01A1</b>  <b>15/32-32 NS-2B</b>