

# PLIER OPERATED TEMPORARY FASTENERS

## M Series

These fasteners are dedicated to light clamping forces of no more than 25 pounds. Quick installation and removal is achieved with Monogram's #200 pliers, offering a fast and inexpensive alternative to competitive fastening systems.

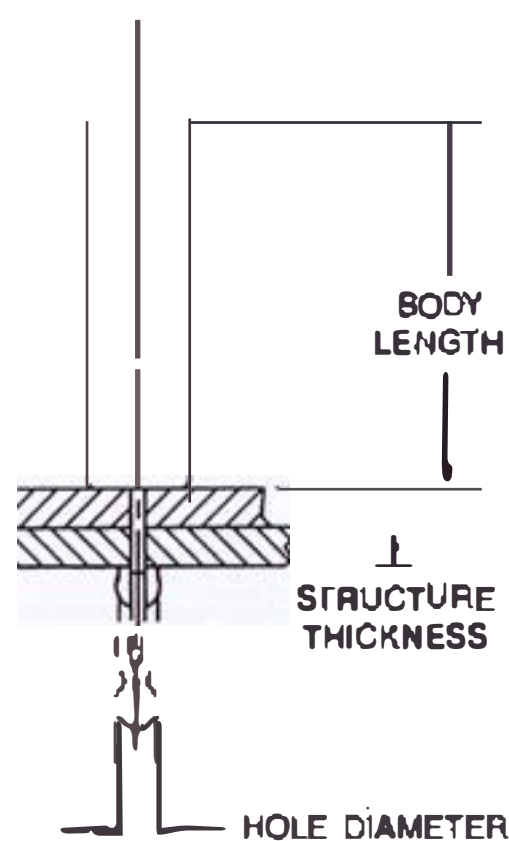
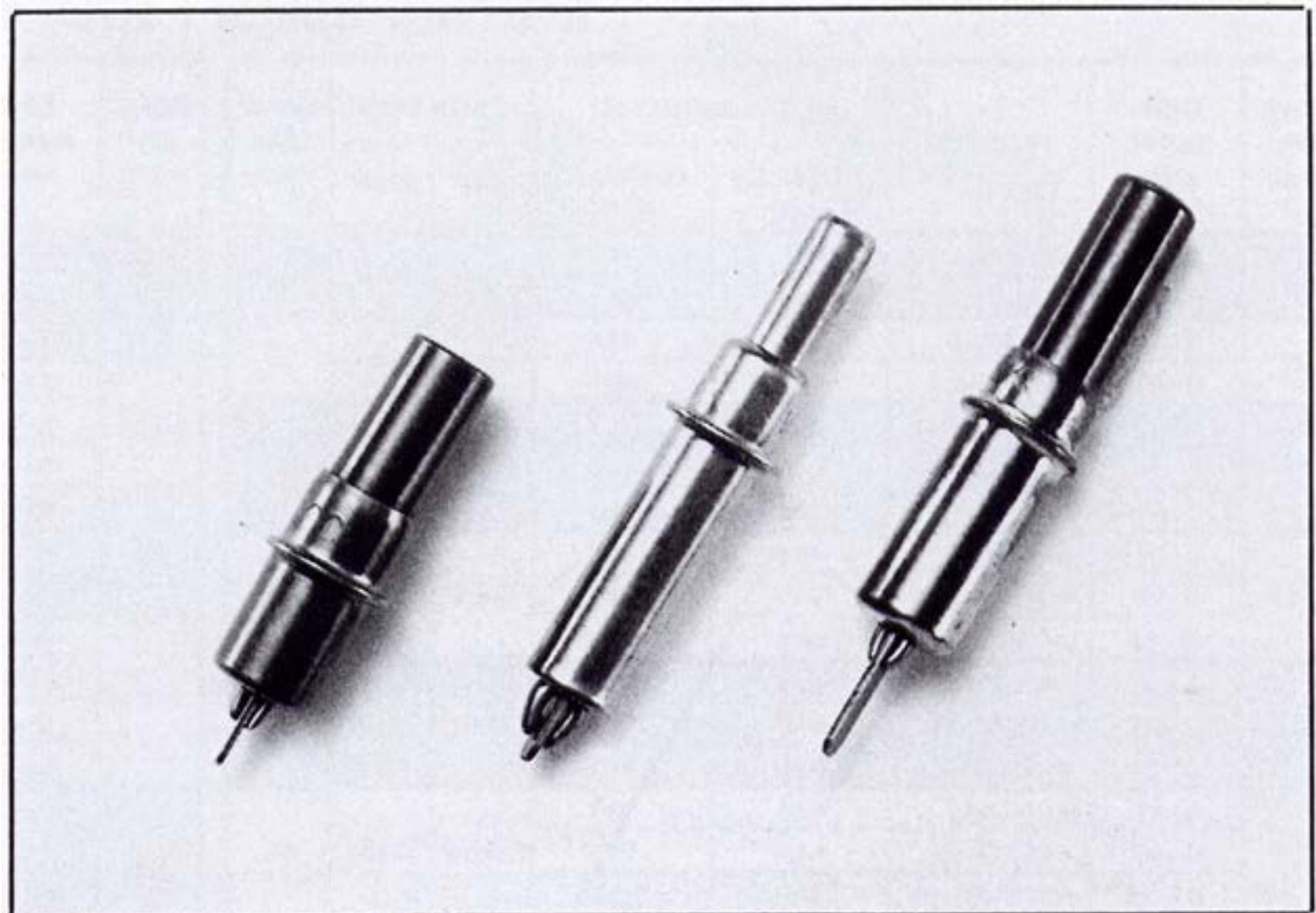
**M** – Standard fasteners for normal clamping force requirements.

**MM** – Designed for normal clamping force in more confined work areas

**MHD** – For use when a wider grip range is necessary

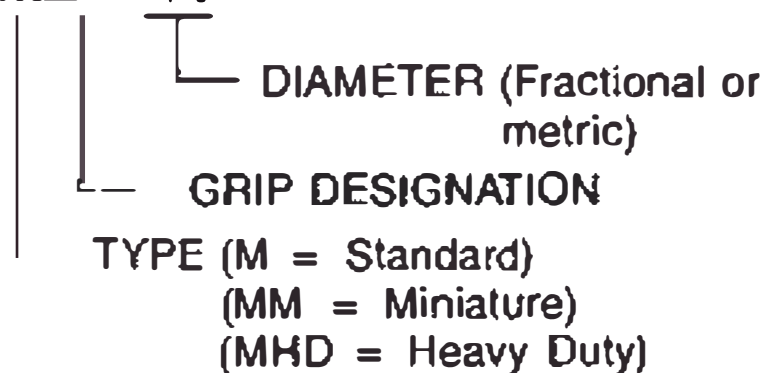
### FEATURES

- A maximum of twenty-five pounds of spring-loaded clamping force
- Easy installation
- Minimal surface marring
- Color-coded for easy identification
- Available in a variety of diameters and grip accommodations
- Lightweight — approximately 40 pounds per thousand pieces



### PART NUMBER EXAMPLE:

**MEL 1/8**



### FRACTIONAL SIZES — M SERIES

| HOLE DIA. (inches) | GRIP RANGE (inches) | STANDARD    |                      | MINIATURE   |                      | HEAVY DUTY  |                      | COLOR CODE | DRILL SIZE |
|--------------------|---------------------|-------------|----------------------|-------------|----------------------|-------------|----------------------|------------|------------|
|                    |                     | PART NUMBER | BODY LENGTH (inches) | PART NUMBER | BODY LENGTH (inches) | PART NUMBER | BODY LENGTH (inches) |            |            |
| 1/16               | 0—1/4               | M-1/16      | 1-29/64              | MM-1/16     | 53/64                | MHD-1/16    | 1-7/64               | Black      | #50        |
|                    | 1/2—1               |             |                      |             |                      | MHDL-1/16   | 1-7/64               |            |            |
| 3/32               | 0—1/4               | M 3/32      | 1-29/64              | MM 3/32     | 53/64                |             |                      | Zinc       | #40        |
|                    | 1/4—1/2             | ML-3/32     | 1-29/64              | MML 3/32    | 53/64                |             |                      |            |            |
|                    | 1/2—3/4             | MEL 3/32    | 1-29/64              | MMEL-3/32   | 53/64                |             |                      |            |            |
|                    | 0—1/2               |             |                      |             |                      | MHD-3/32    | 1-7/64               |            |            |
| 1/8                | 1/2—1               |             |                      |             |                      | MHDL 3/32   | 1-7/64               | Copper     | #30        |
|                    | 0—1/4               | M 1/8       | 1-29/64              | MM-1/8      | 53/64                |             |                      |            |            |
|                    | 1/4—1/2             | ML 1/8      | 1-29/64              | MML 1/8     | 53/64                |             |                      |            |            |
|                    | 1/2—3/4             | MEL-1/8     | 1-29/64              | MMEL 1/8    | 53/64                |             |                      |            |            |
| 5/32               | 0                   |             |                      |             |                      | MHD-1/8     | 1-7/64               | Black      | #20        |
|                    | 1/2—1               |             |                      |             |                      | MHDL-1/8    | 1-7/64               |            |            |
|                    | 0—1/4               | M-5/32      | 1-29/64              | MM 5/32     | 53/64                |             |                      |            |            |
|                    | 1/4—1/2             | ML 5/32     | 1-29/64              | MML-5/32    | 53/64                |             |                      |            |            |
| 3/16               | 1/2—3/4             | MEL 5/32    | 1-29/64              | MMEL 5/32   | 53/64                |             |                      | Brass      | #10        |
|                    | 0—1/2               |             |                      |             |                      | MHD-5/32    | 1-7/64               |            |            |
|                    | 1/2—1               |             |                      |             |                      | MHDL 5/32   | 1-7/64               |            |            |
|                    | 0—1/4               | M 3/16      | 1-29/64              | MM-3/16     | 53/64                |             |                      |            |            |
| 7/32               | 1/4—1/2             | ML 3/16     | 1-29/64              | MML 3/16    | 53/64                |             |                      | Zinc       | #2         |
|                    | 0—1/2               |             |                      |             |                      | MHD-3/16    | 1-7/64               |            |            |
|                    | 1/2—1               |             |                      |             |                      | MHDL-3/16   | 1-7/64               |            |            |
| 1/4                | 0—1/4               | M-7/32      | 1-31/64              |             |                      |             |                      | Copper     | 1/4"       |
|                    | 0—1/2               |             |                      |             |                      | MHD-7/32    | 1-47/64              |            |            |
|                    | 1/2—1               |             |                      |             |                      | MHDL 7/32   | 1-47/64              |            |            |
| 1/4                | 0—1/4               | M-1/4       | 1-31/64              |             |                      |             |                      | Copper     | 1/4"       |
|                    | 0—1/2               |             |                      |             |                      | MHD-1/4     | 1-47/64              |            |            |
|                    | 1/2—1               |             |                      |             |                      | MHDL-1/4    | 1-47/64              |            |            |