

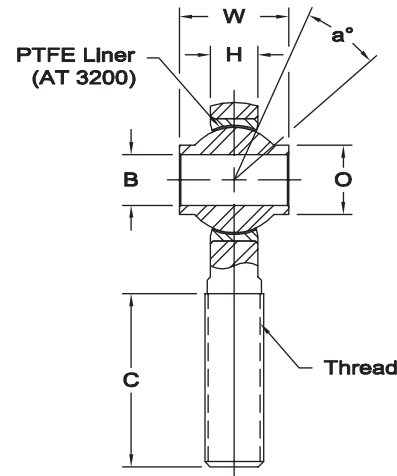
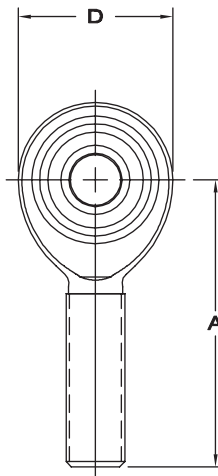


HXAM-T



Body - 4340 steel, heat treated, protective coated for corrosion resistance.

Race - 4130 steel, heat treated, protective coated for corrosion resistance. Manufacturers Option: 17-4 PH stainless steel (AMS 5643), heat treated

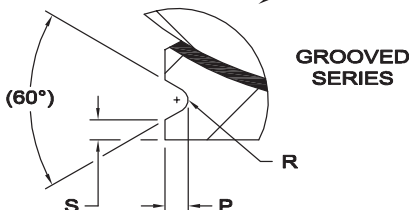
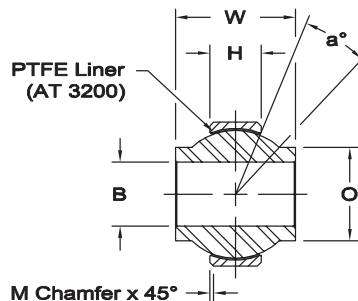
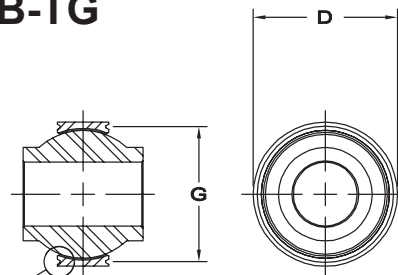


HAB-T, HAB-TG



Ball - Alloy steel, heat treated, hard chrome plated.

PTFE liner - (AT 3200) Permanently bonded to race inside diameter. Qualified to SAE-AS81820 (formerly MIL-B-81820)



PLAIN SERIES

HXAM-T

| ROD END NO. | | DIMENSIONS IN INCHES | | | | | | | | | a° Misalign. Angle | Ultimate Radial Static Load Capacity Lbs. | Approx. Brg. Wt. Lbs. |
|-------------|-----------|-----------------------|---------------------|------------|------------|------------|----------------|------------|----------------|--------------------|--------------------|---|-----------------------|
| Right Hand | Left Hand | B +.0000 -.0005 | W +.000 -.005 | H ±.005 | A ±.010 | D ±.010 | Ball Dia. Ref. | C ±.031 | Thread UNJF-3A | O Shoulder Dia. | | | |
| HXAM-4T | HXAB-4T | .2500 | .593 | .265 | 1.938 | 1.025 | .593 | 1.187 | 3/8-24 | .390 | 23 | 10,789 | .12 |
| HXAM-5T | HXAB-5T | .3125 | .813 | .355 | 2.125 | 1.150 | .781 | 1.281 | 7/16-20 | .512 | 22 | 11,781 | .16 |
| HXAM-6T | HXAB-6T | .3750 | .813 | .355 | 2.125 | 1.150 | .781 | 1.281 | 7/16-20 | .512 | 22 | 11,781 | .15 |
| HXAM-7T | HXAB-7T | .4375 | .875 | .355 | 2.438 | 1.337 | .875 | 1.468 | 1/2-20 | .618 | 21 | 17,105 | .24 |
| HXAM-8T | HXAB-8T | .5000 | .937 | .411 | 2.625 | 1.525 | 1.000 | 1.562 | 5/8-18 | .730 | 19 | 23,720 | .39 |
| HXAM-10T | HXAB-10T | .6250 | 1.200 | .577 | 2.875 | 1.775 | 1.250 | 1.687 | 3/4-16 | .856 | 19 | 32,067 | .60 |
| HXAM-12T | HXAB-12T | .7500 | 1.280 | .630 | 3.375 | 2.025 | 1.375 | 2.000 | 7/8-14 | .970 | 18 | 38,660 | .89 |

HAB-T

| BEARING NO. | | DIMENSIONS IN INCHES | | | | | | | | | | | a° Misalign. Angle | Radial Static Limit Load Capacity Lbs. | Approx. Brg. Wt. Lbs. |
|-------------|---------|-----------------------|-----------------------|---------------------|------------|--------|--------|---------------------|--------|---------------------|---------------------|----------------|--------------------|--|-----------------------|
| Grooved | Plain | B +.0000 -.0005 | D +.0000 -.0005 | W +.000 -.005 | H ±.005 | M Ref. | O Ref. | P +.000 -.010 | S Min. | G +.000 -.008 | R +.002 -.005 | Ball Dia. Ref. | | | |
| HAB-4TG | HAB-4T | .2500 | .7400 | .593 | .255 | .020 | .390 | .025 | .010 | .674 | .010 | .593 | 24 | 7,560 | .04 |
| HAB-5TG | HAB-5T | .3125 | .9060 | .813 | .345 | .030 | .512 | .025 | .010 | .840 | .010 | .781 | 23 | 16,975 | .08 |
| HAB-6TG | HAB-6T | .3750 | .9060 | .813 | .345 | .030 | .512 | .025 | .010 | .840 | .010 | .781 | 23 | 16,975 | .07 |
| HAB-7TG | HAB-7T | .4375 | 1.0000 | .875 | .345 | .030 | .618 | .025 | .010 | .934 | .010 | .875 | 22 | 19,018 | .09 |
| HAB-8TG | HAB-8T | .5000 | 1.1250 | .937 | .401 | .030 | .730 | .025 | .010 | 1.059 | .010 | 1.000 | 20 | 25,263 | .13 |
| HAB-10TG | HAB-10T | .6250 | 1.3750 | 1.200 | .567 | .030 | .856 | .035 | .020 | 1.279 | .015 | 1.250 | 20 | 44,651 | .25 |
| HAB-12TG | HAB-12T | .7500 | 1.5625 | 1.280 | .620 | .035 | .970 | .035 | .020 | 1.467 | .015 | 1.375 | 18 | 53,707 | .33 |
| HAB-14TG | HAB-14T | .8750 | 1.7500 | 1.400 | .630 | .039 | 1.140 | .035 | .020 | 1.654 | .015 | 1.531 | 18 | 72,424 | .44 |