

## Features

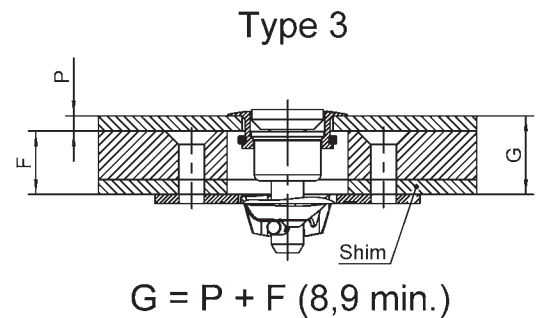
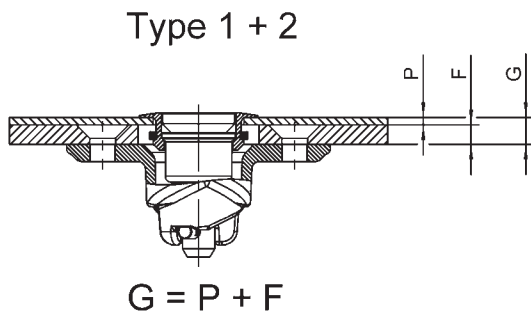
- Max. tensile strength 4.700 N, working load 3.100 N.
- Small fastener for high tensile load.
- Large range of stud assemblies with fixed and floating receptacles

## Selection Instructions

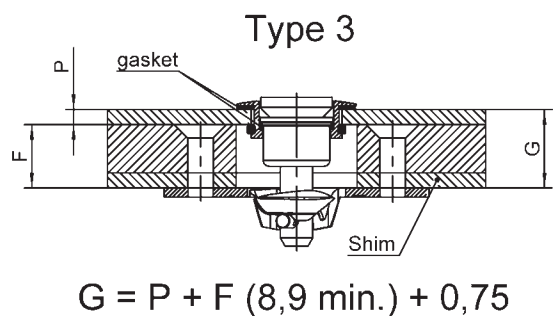
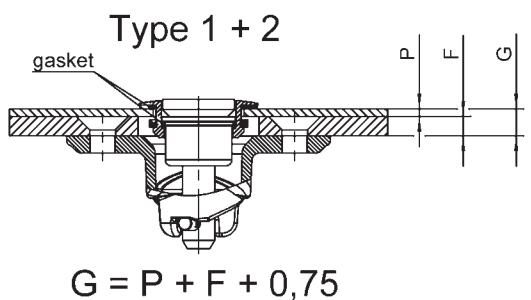
1. Select stud assembly, page G-4 and G-5, grommet and snap-on retaining ring, page G-7 and receptacle, page G-8 and G-9.
2. Select retaining washer, page G-6, for studs from length no. 5.
3. Select stud length number from total thickness G using the formula and the table on page G-2 and G-3 (e.g. D 4002-\*AGV).

## Determining the stud length number when using receptacle:

### Standard version




### Sealed version



**When Using the Following Grommet and Receptacles:  
Flush Mounting Grommets  
D4002-G-AGV    D4002-H-AGV**

Total Thickness G	Stud Length No. When Using <b>Type 1</b> Receptacles	Total Thickness G	Stud Length No. When Using <b>Type 2</b> Receptacles	Total Thickness G	Stud Length No. When Using <b>Type 3</b> Receptacles
0,50 - 1,30	-	0,50 - 1,30	-	8,90 - 9,65	2
1,30 - 2,05	-	1,30 - 2,05	2	9,65 - 10,40	3
2,05 - 2,80	2	2,05 - 2,80	3	10,40 - 11,20	4
2,80 - 3,55	3	2,80 - 3,55	4	11,20 - 11,95	5
3,55 - 4,30	4	3,55 - 4,30	5	11,95 - 12,70	6
4,30 - 5,10	5	4,30 - 5,10	6	12,70 - 13,50	7
5,10 - 5,85	6	5,10 - 5,85	7	13,50 - 14,20	8
5,85 - 6,60	7	5,85 - 6,60	8	14,20 - 15,00	9
6,60 - 7,30	8	6,60 - 7,30	9	15,00 - 15,75	10
7,30 - 8,15	9	7,30 - 8,15	10	15,75 - 16,50	11
8,15 - 8,90	10	8,15 - 8,90	11	16,50 - 17,30	12
8,90 - 9,65	11	8,90 - 9,65	12	17,30 - 18,00	13
9,65 - 10,40	12	9,65 - 10,40	13	18,00 - 18,80	14
10,40 - 11,20	13	10,40 - 11,20	14	18,80 - 19,55	15
11,20 - 11,95	14	11,20 - 11,95	15	19,55 - 20,30	16
11,95 - 12,70	15	11,95 - 12,70	16	20,30 - 21,10	17
12,70 - 13,50	16	12,70 - 13,50	17	21,10 - 21,85	18
13,50 - 14,20	17	13,50 - 14,20	18	21,85 - 22,60	19
14,20 - 15,00	18	14,20 - 15,00	19	22,60 - 23,40	20
15,00 - 15,75	19	15,00 - 15,75	20	23,40 - 24,15	21
15,75 - 16,50	20	15,75 - 16,50	21	24,15 - 24,90	22
16,50 - 17,30	21	16,50 - 17,30	22	24,90 - 25,65	23
17,30 - 18,00	22	17,30 - 18,00	23	25,65 - 26,40	24
18,00 - 18,80	23	18,00 - 18,80	24	26,40 - 27,20	25
18,80 - 19,55	24	18,80 - 19,55	25	27,20 - 27,95	26
19,55 - 20,30	25	19,55 - 20,30	26	27,95 - 28,70	27
20,30 - 21,10	26	20,30 - 21,10	27	28,70 - 29,50	28
21,10 - 21,85	27	21,10 - 21,85	28	29,50 - 30,20	29
21,85 - 22,60	28	21,85 - 22,60	29	30,20 - 31,00	30
22,60 - 23,40	29	22,60 - 23,40	30	31,00 - 31,75	31
23,40 - 24,15	30	23,40 - 24,15	31	31,75 - 32,50	32
24,15 - 24,90	31	24,15 - 24,90	32	32,50 - 33,30	33
24,90 - 25,65	32	24,90 - 25,65	33	33,30 - 34,05	34
25,65 - 26,40	33	25,65 - 26,40	34	34,05 - 34,80	35
26,40 - 27,20	34	26,40 - 27,20	35		
27,20 - 27,95	35				

Other lengths on request.

 Preferred dash-lengths


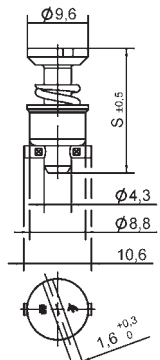

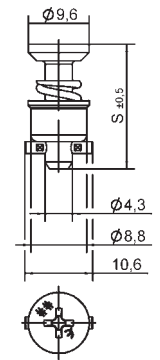

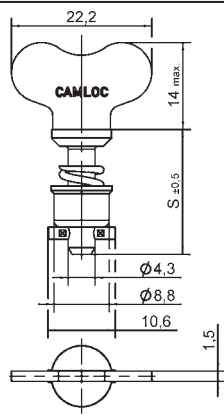

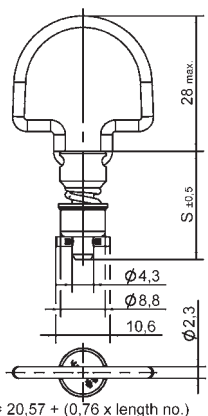
**When Using the Following Grommet and Receptacles:**

**Plus Flush Mounting Grommets  
D4002-N-AGV    D4002-O-AGV  
D4002-P-AGV**


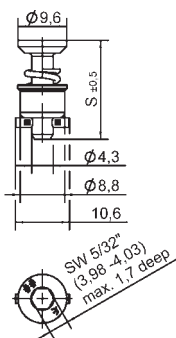

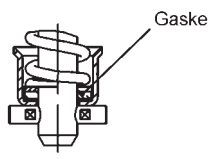

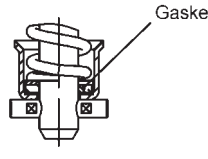
Total Thickness G	Stud Length No. When Using <b>Type 1</b> Receptacles	Total Thickness G	Stud Length No. When Using <b>Type 2</b> Receptacles	Total Thickness G	Stud Length No. When Using <b>Type 3</b> Receptacles
0,50 - 1,30	1	0,50 - 1,30	2	8,90 - 9,65	3
1,30 - 2,05	2	1,30 - 2,05	3	9,65 - 10,40	4
2,05 - 2,80	3	2,05 - 2,80	4	10,40 - 11,20	5
2,80 - 3,55	4	2,80 - 3,55	5	11,20 - 11,95	6
3,55 - 4,30	5	3,55 - 4,30	6	11,95 - 12,70	7
4,30 - 5,10	6	4,30 - 5,10	7	12,70 - 13,50	8
5,10 - 5,85	7	5,10 - 5,85	8	13,50 - 14,20	9
5,85 - 6,60	8	5,85 - 6,60	9	14,20 - 15,00	10
6,60 - 7,30	9	6,60 - 7,30	10	15,00 - 15,75	11
7,30 - 8,15	10	7,30 - 8,15	11	15,75 - 16,50	12
8,15 - 8,90	11	8,15 - 8,90	12	16,50 - 17,30	13
8,90 - 9,65	12	8,90 - 9,65	13	17,30 - 18,00	14
9,65 - 10,40	13	9,65 - 10,40	14	18,00 - 18,80	15
10,40 - 11,20	14	10,40 - 11,20	15	18,80 - 19,55	16
11,20 - 11,95	15	11,20 - 11,95	16	19,55 - 20,30	17
11,95 - 12,70	16	11,95 - 12,70	17	20,30 - 21,10	18
12,70 - 13,50	17	12,70 - 13,50	18	21,10 - 21,85	19
13,50 - 14,20	18	13,50 - 14,20	19	21,85 - 22,60	20
14,20 - 15,00	19	14,20 - 15,00	20	22,60 - 23,40	21
15,00 - 15,75	20	15,00 - 15,75	21	23,40 - 24,15	22
15,75 - 16,50	21	15,75 - 16,50	22	24,15 - 24,90	23
16,50 - 17,30	22	16,50 - 17,30	23	24,90 - 25,65	24
17,30 - 18,00	23	17,30 - 18,00	24	25,65 - 26,40	25
18,00 - 18,80	24	18,00 - 18,80	25	26,40 - 27,20	26
18,80 - 19,55	25	18,80 - 19,55	26	27,20 - 27,95	27
19,55 - 20,30	26	19,55 - 20,30	27	27,95 - 28,70	28
20,30 - 21,10	27	20,30 - 21,10	28	28,70 - 29,50	29
21,10 - 21,85	28	21,10 - 21,85	29	29,50 - 30,20	30
21,85 - 22,60	29	21,85 - 22,60	30	30,20 - 31,00	31
22,60 - 23,40	30	22,60 - 23,40	31	31,00 - 31,75	32
23,40 - 24,15	31	23,40 - 24,15	32	31,75 - 32,50	33
24,15 - 24,90	32	24,15 - 24,90	33	32,50 - 33,30	34
24,90 - 25,65	33	24,90 - 25,65	34	33,30 - 34,05	35
25,65 - 26,40	34	25,65 - 26,40	35		
26,40 - 27,20	35				

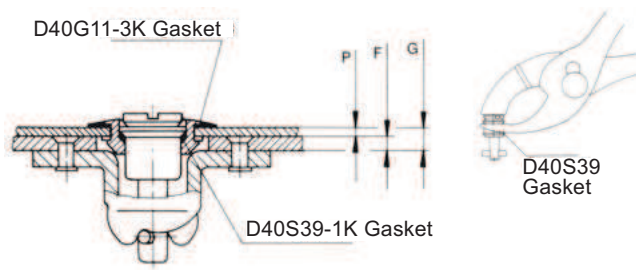
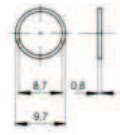
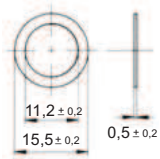
Other lengths on request.

 Preferred dash-lengths

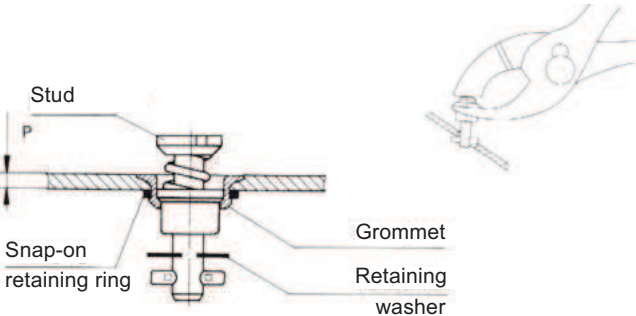
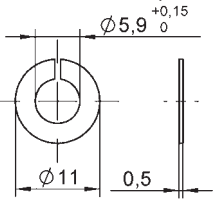
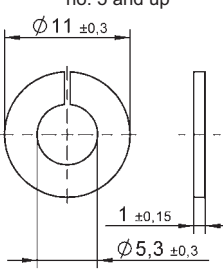
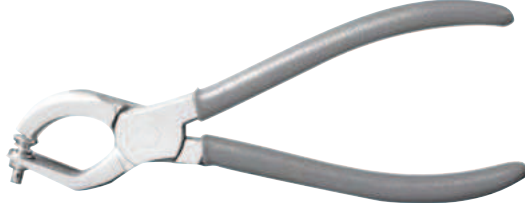

Style	Dimensions	Materials / Finish	°C	Part No.
<p><b>Slotted Recess Head</b></p> 	 <p><math>S = 16,00 + (0,76 \times \text{length no.})</math></p>	Steel / zinc-plated, CrVI-free, clear passivation	120	<b>D4002-*AGV</b>
<p><b>Cross Recess Head</b></p> 	 <p><math>S = 16,00 + (0,76 \times \text{length no.})</math></p>	Steel / zinc-plated CrVI-free, clear passivation	120	<b>D40S5-*AGV</b>
<p><b>Fixed Wing Head</b></p> 	 <p><math>S = 16,00 + (0,76 \times \text{length no.})</math></p>	Steel / zinc-plated, CrVI-free, clear passivation	120	<b>D4002-*WAGV</b>
<p><b>180° Folding Bail Handle</b></p> 	 <p><math>S = 20,57 + (0,76 \times \text{length no.})</math></p>	Steel / zinc-plated, CrVI-free, clear passivation	120	<b>D40S47-*AGV</b>


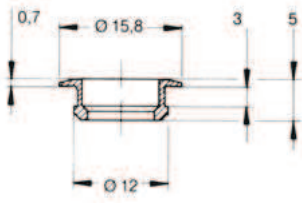

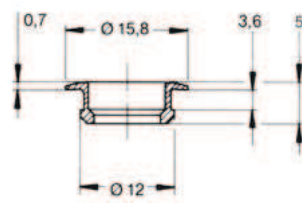

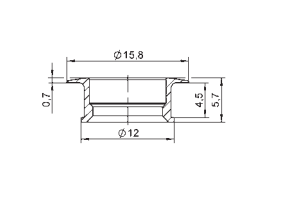

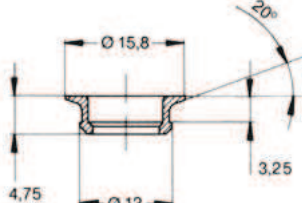

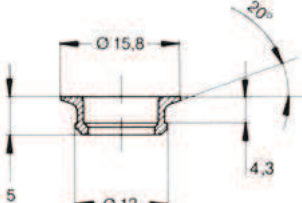
\* Length no. from Table, page G-2 and G-3

Style	Dimensions	Materials / Finish	°C	Part No.
<p><b>Hex Recess Head</b></p> 	 <p>S = 16,00 + (0,76 x length no.)</p>	Steel / zinc-plated, CrVI-free, clear passivation	120	<b>D40E28- *AGV</b>
<p><b>Sealed Slotted Recess Head</b></p> 	 <p>Additional required gasket see page G-4</p>	Steel / zinc-plated, CrVI-free, clear passivation  Gasket: Rubber	100	<b>D4002I-*AGV</b>
<p><b>Sealed Cross Recess Head</b></p> 	 <p>Additional required gasket see page G-4</p>	Steel / zinc-plated, CrVI-free, clear passivation  Gasket: Rubber	100	<b>D40S5I-*AGV</b>

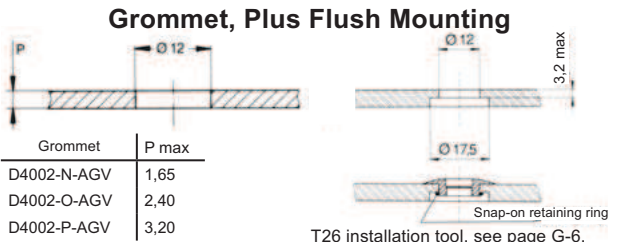
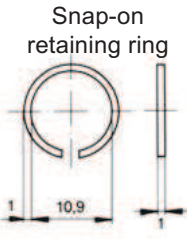
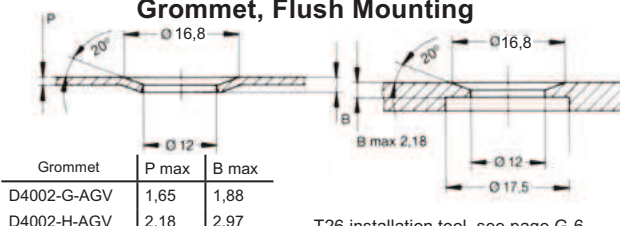
Installation Dimensions	Accessories	Materials / Finish	Part No.
<p><b>Gasket to be ordered in addition to the sealed stud assembly</b></p> 	<p>Gasket</p>  <p>Gasket</p> 	Plastic / (PA6)	<b>D40S39-1K</b>
		EPDM black	<b>D40G11-3K</b>


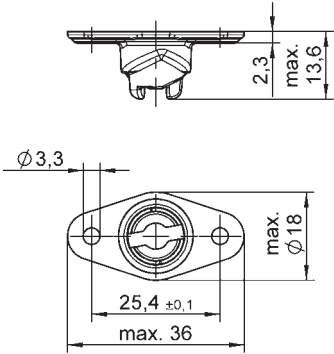

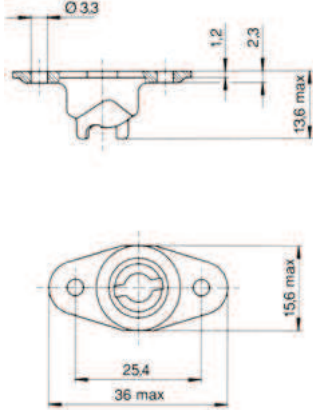

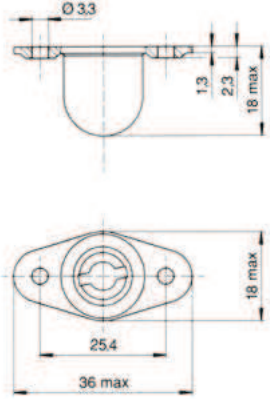
\* Length no. from Table, page G-2 and G-3

Installation Dimensions	Accessories	Materials / Finish	Part No.
 <p>4P3-1 installation pliers, see below</p>	<p>retaining ring loose on stud use for stud length no. 5 and up</p>  <p>retaining ring loose on stud use for stud length no. 5 and up</p> 	<p>Stainless steel</p> <p>Plastic</p>	<p><b>4002-SW-SS</b></p> <p><b>50W204-01K</b></p>
	<p><b>Stud installation pliers</b></p>	<p><b>4P3-1</b></p>	
	<p><b>R4G-* and V40G26-1N snap-on retaining ring installation tool</b></p>	<p><b>T26</b></p>	


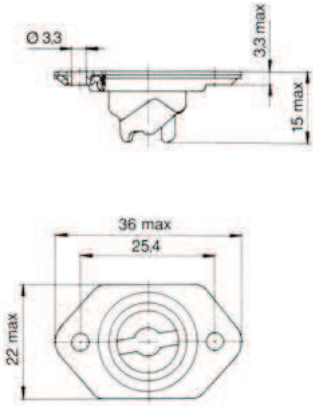

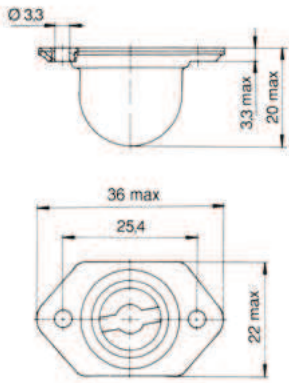

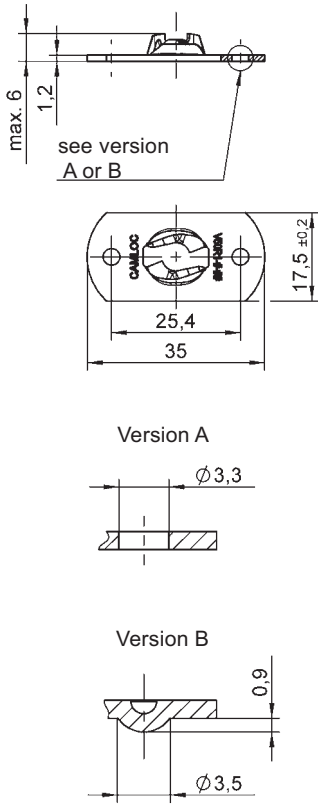
Style	Dimensions	Materials / Finish	°C	Part No.
<b>Plus Flush Mounting For Panel Thickness up to 1,65</b> 		Steel / zinc-plated, CrVI-free, clear passivation	120	<b>D4002-N-AGV</b>
<b>Plus Flush Mounting For Panel Thickness from 1,65 to 2,40</b> 		Steel / zinc-plated, CrVI-free, clear passivation	120	<b>D4002-O-AGV</b>
<b>Plus Flush Mounting For Panel Thickness from 2,40 to 3,20</b> 		Steel / zinc-plated, CrVI-free, clear passivation	120	<b>D4002-P-AGV</b>
<b>Flush Mounting For Panel Thickness up to 1,65</b> 		Steel / zinc-plated, CrVI-free, clear passivation	120	<b>D4002-G-AGV</b>
<b>Flush Mounting For Panel Thickness from 1,65 to 2,18</b> 		Steel / zinc-plated, CrVI-free, clear passivation	120	<b>D4002-H-AGV</b>

Grommets for thicker panels upon request.

Installation Dimensions	Accessories	Materials / Finish	Part No.									
<p><b>Grommet, Plus Flush Mounting</b></p>  <table border="1"> <thead> <tr> <th>Grommet</th> <th>P max</th> </tr> </thead> <tbody> <tr> <td>D4002-N-AGV</td> <td>1,65</td> </tr> <tr> <td>D4002-O-AGV</td> <td>2,40</td> </tr> <tr> <td>D4002-P-AGV</td> <td>3,20</td> </tr> </tbody> </table> <p>T26 installation tool, see page G-6.</p>	Grommet	P max	D4002-N-AGV	1,65	D4002-O-AGV	2,40	D4002-P-AGV	3,20	<p>Snap-on retaining ring</p> 	Steel / zinc plated, CrVI-free, clear passivation	<b>R4G-3</b>	
Grommet	P max											
D4002-N-AGV	1,65											
D4002-O-AGV	2,40											
D4002-P-AGV	3,20											
<p><b>Grommet, Flush Mounting</b></p>  <table border="1"> <thead> <tr> <th>Grommet</th> <th>P max</th> <th>B max</th> </tr> </thead> <tbody> <tr> <td>D4002-G-AGV</td> <td>1,65</td> <td>1,88</td> </tr> <tr> <td>D4002-H-AGV</td> <td>2,18</td> <td>2,97</td> </tr> </tbody> </table> <p>T26 installation tool, see page G-6.</p>	Grommet	P max	B max	D4002-G-AGV	1,65	1,88	D4002-H-AGV	2,18	2,97			
Grommet	P max	B max										
D4002-G-AGV	1,65	1,88										
D4002-H-AGV	2,18	2,97										

Style	Dimensions	Materials / Finish	°C	Part No.
<p><b>Type 1 Cast</b></p> 		Hard bronze / zinc-plated, CrVI-free, clear passivation	120	<b>D214-16FGV</b>
<p><b>Type 1 Cast Narrow Width</b></p> 		Hard bronze / zinc-plated, CrVI-free, clear passivation	120	<b>D214-16NFGV</b>
<p><b>Type 1 Cast Encapsulated</b></p> 		Hard bronze / zinc-plated, CrVI-free, clear passivation  Capsule: Brass / zinc-plated, CrVI-free, clear passivation	150	<b>D40R12-1FGV</b>



Style	Dimensions	Materials / Finish	°C	Part No.
<p><b>Type 2 Float up to 0,75 mm* (Cast Receptacle)</b></p> 		<p>Hard bronze / zinc-plated, CrVI-free, clear passivation</p> <p>Cage: Steel / zinc-plated, CrVI-free, clear passivation</p>	120	<b>D244-16-FGV</b>
<p><b>Type 2 Float up to 0,75 mm* Encapsulated</b></p> 		<p>Hard bronze / zinc-plated, CrVI-free, clear passivation</p> <p>Capsule: Steel / zinc-plated, CrVI-free, clear passivation</p>	120	<b>D244-16C-FGV</b>
<p><b>Type 3 Flat Rivet / Screw or Weld Mounting</b></p> 		<p><b>Rivet / Screw Mounting</b> Hard bronze / zinc-plated, CrVI-free, clear passivation</p> <p><b>Welding</b> Steel / zinc-plated</p>	120	<p><b>V50R1-1-1AGV</b></p> <p>- <b>V50R1-1-2AZ</b></p> <p>- <b>V50R1-1-2AR</b></p>

Installation Dimensions

**Types 1, 2 and 3  
Receptacle Hole Pattern**

