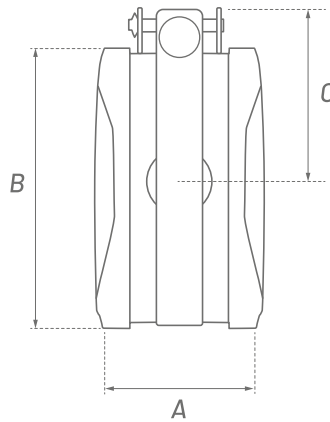


Material Key:

B: Brass, C: Stainless Steel, CH: Chrome Plated, D: Aluminium, P: Zinc Plated Carbon Steel, Z1: Silver Plated Carbon Steel

14J21**Hydraflow clamshell coupling features:**

- Lightweight
- Flexible
- Durable
- Safety Strap
- Single handed operation
- Industry standard flanges
- Integral bonding wires

**Hydraflow Coupling**

Hydraflow specialises in creating engineered solutions for moving low pressure fluid within high technology platforms. The Hydraflow 14J21 Clamshell is a threadless flexible coupling with a unique safety feature for fluid transfer in motorsport applications and used with industry standard flanges. Goodridge manufacture and supply a range of compatible weld ferrules, sleeves and light weight fittings designed to connect directly to Hydraflow couplings – available in Goodridge G-Line Ultra 960, 711 & 4000 series.

Operating pressure:

- 08 to -12 = 500 PSIG
- 16 to -64 = 155 PSIG

Proof pressure:

- 08 to -12 = 750 PSIG
- 16 to -64 = 227 PSIG

Burst pressure:

- 08 to -12 = 1000 PSIG
- 16 to -64 = 382 PSIG

Operating temperature:

- 65°F to +450°F (depending on coupling material)

Notes:

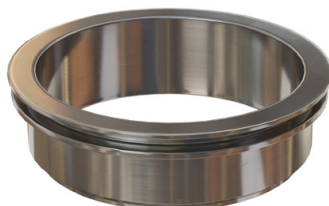
The coupling meets the performance requirements of AS1650

Part No.	Outer tube Ø	Material	A max.	B max.	C max.	Weight	O-Ring ref.
14J21-08A	0.500"	D	0.85"	1.06"	0.89"	0.033 lbs	150-08-015V75
14J21-10A	0.625"	D	0.85"	1.16"	0.95"	0.036 lbs	150-10-017V75
14J21-12A	0.750"	D	0.95"	1.27"	1.04"	0.046 lbs	150-12-117V75
14J21-16A	1.000"	D	1.04"	1.49"	1.18"	0.061 lbs	150-16-214V75
14J21-20A	1.250"	D	1.04"	1.74"	1.29"	0.069 lbs	150-20-218V75
14J21-24A	1.500"	D	1.04"	2.03"	1.43"	0.078 lbs	150-24-222V75
14J21-28A	1.750"	D	1.04"	2.24"	1.55"	0.084 lbs	150-28-224V75
14J21-32A	2.000"	D	1.08"	2.53"	1.69"	0.101 lbs	150-32-226V75
14J21-36A	2.250"	D	1.08"	2.87"	1.80"	0.112 lbs	150-36-228V75
14J21-40A	2.500"	D	1.09"	3.08"	1.91"	0.130 lbs	150-40-230V75
14J21-48A	3.000"	D	1.13"	3.69"	2.18"	0.187 lbs	150-48-234V75
14J21-56A	3.500"	D	1.13"	4.19"	2.44"	0.223 lbs	150-56-238V75
14J21-64A	4.000"	D	1.13"	4.79"	2.68"	0.248 lbs	150-64-242V75

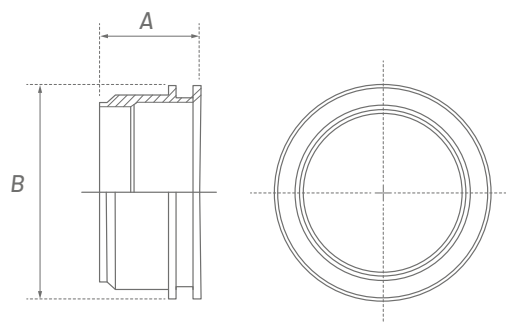
Hydraflow weld ferrule

Weld ferrule for Hydraflow clamshell couplings.

14F



HYDRAFLOW



Part No.	Tube OD	Mat	A max.	B max.	Weight	O-Ring
14F03-08D	0.500"	D	0.739"	0,685"	0.010 lbs	150-08-015V75
14F03-10D	0.625"	D	0.739"	0,810"	0.013 lbs	150-10-017V75
14F03-12D	0.750"	D	0.773"	0,990"	0.017 lbs	150-12-117V75
14F03-16D	1.000"	D	0.828"	1,266"	0.023 lbs	150-16-214V75
14F03-20D	1.250"	D	0.828"	1,516"	0.030 lbs	150-20-218V75
14F03-24D	1.500"	D	0.828"	1,786"	0.035 lbs	150-24-222V75
14F03-28D	1.750"	D	0.828"	2,036"	0.042 lbs	150-28-224V75
14F03-32D	2.000"	D	0.844"	2,309"	0.051 lbs	150-32-226V75
14F03-36D	2.250"	D	0.844"	2,559"	0.058 lbs	150-36-228V75
14F03-40D	2.500"	D	0.844"	2,809"	0.065 lbs	150-40-230V75
14F03-48D	3.000"	D	0.844"	3,309"	0.079 lbs	150-48-234V75
14F03-56D	3.500"	D	0.844"	3,821"	0.091 lbs	150-56-238V75
14F03-64D	4.000"	D	0.844"	4,328"	0.111 lbs	150-64-242V75

Hydraflow O-ring

150



HYDRAFLOW O-RING

Part No.	For connector/ferrule
150-08-015V75	-08
150-10-017V75	-10
150-12-117V75	-12
150-16-214V75	-16
150-20-218V75	-20
150-24-222V75	-24
150-28-224V75	-28
150-32-226V75	-32
150-36-228V75	-36
150-40-230V75	-40
150-48-234V75	-48
150-56-238V75	-56
150-64-242V75	-64