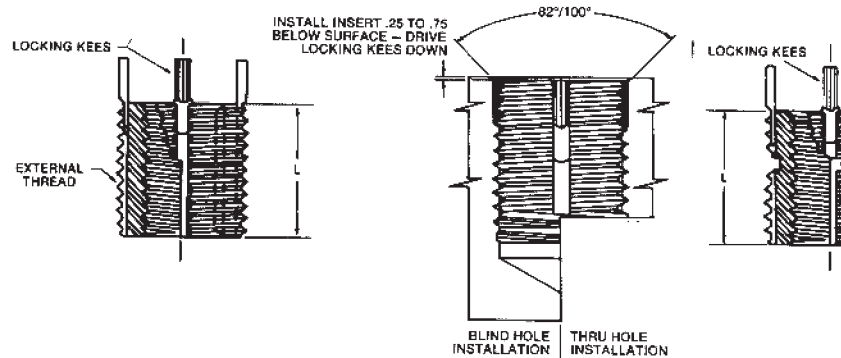


Heavy Duty Inserts

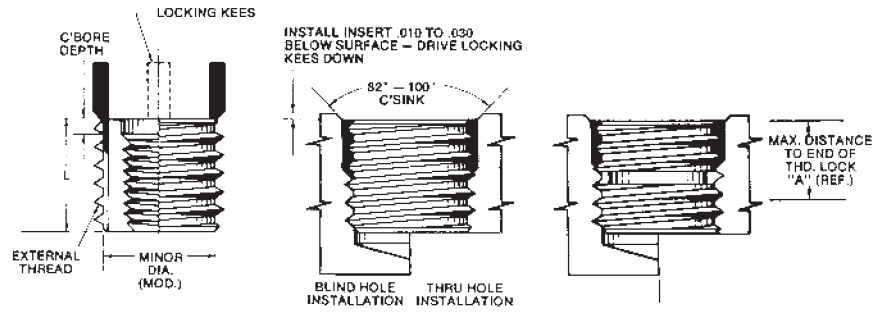


PART NO.		DIMENSIONS					INSTALLATION DATA					REMOVAL DATA	
NON-LOCKING	INTERNAL THREAD LOCKING	INTERNAL THREAD CLASS 5H	EXTERNAL THREAD		L ±0.3	A	TAP DRILL DIA.	C'SINK DIA. +.25 -.00	THREAD TAP		INSTALLATION TOOL PART NUMBER	DRILL	
			SIZE CLASS 4H	SHEAR ENGAG. (MM)*					SIZE CLASS 6H	MIN. DEPTH		SIZE	DEPTH
KNHM 4x0.7	KNHML 4x0.7	M 4x0.7	M 8x1.25	104.9	8.0	8.0	6.9	8.25	M 8x1.25	9.5	THM - 4	5.50	4.00
				83.1									
KNHM 5x0.8	KNHML 5x0.8	M 5x0.8	M 10x1.25	177.7	10.0	8.7	8.8	10.25	M 10x1.25	12.5	THM - 5	7.50	4.75
				152.7									
KNHM 6x1.0	KNHML 6x1.0	M 6x1.0	M 12x1.25	266.7	12.0	9.5	10.8	12.25	M 12x1.25	14.5	THM - 6	9.50	4.75
				242.5									
KNHM 8x1.25	KNHML 8x1.25	M 8x1.25	M 14x1.5	341.6	14.0	10.0	12.8	14.25	M 14x1.5	16.5	THM - 8	11.50	4.75
				316.4									
KNHM 8x1.0	KNHML 8x1.0	M 8x1.0	M 14x1.5	341.6	14.0	10.0	12.8	14.25	M 14x1.5	16.5	THM - 8	11.50	4.75
				316.4									
KNHM 10x1.5	KNHML 10x1.5	M 10x1.5	M 16x1.5	470.2	16.0	10.0	14.75	16.25	M 16x1.5	18.5	THM - 10	13.50	4.75
				441.4									
KNHM 10x1.25	KNHML 10x1.25	M 10x1.25	M 16x1.5	470.2	16.0	10.0	14.75	16.25	M 16x1.5	18.5	THM - 10	13.50	4.75
				441.4									
KNHM 12x1.75	KNHML 12x1.75	M 12x1.75	M 18x1.5	608.5	18.0	10.7	16.75	18.25	M 18x1.5	20.5	THM - 12	15.50	4.75
				561.8									
KNHM 12x1.5	KNHML 12x1.5	M 12x1.5	M 18x1.5	608.5	18.0	10.7	16.75	18.25	M 18x1.5	20.5	THM - 12	15.50	4.75
				561.8									
KNHM 12x1.25	KNHML 12x1.25	M 12x1.25	M 18x1.5	608.5	18.0	10.7	16.75	18.25	M 18x1.5	20.5	THM - 12	15.50	4.75
				561.8									
KNHM 14x2.0	KNHML 14x2.0	M 14x2.0	M 20x1.5	770.5	20.0	12.4	18.75	20.25	M 20x1.5	22.5	THM - 14	17.50	4.75
				724.4									
KNHM 14x1.5	KNHML 14x1.5	M 14x1.5	M 20x1.5	770.5	20.0	12.4	18.75	20.25	M 20x1.5	22.5	THM - 14	17.50	4.75
				724.4									
KNHM 16x2.0	KNHML 16x2.0	M 16x2.0	M 22x1.5	896.8	22.0	12.4	20.5	22.25	M 22x1.5	24.5	THM - 16	17.75	6.35
				855.2									
KNHM 16x1.5	KNHML 16x1.5	M 16x1.5	M 22x1.5	896.8	22.0	12.4	20.5	22.25	M 22x1.5	24.5	THM - 16	17.75	6.35
				855.2									
KNHM 18x1.5	KNHML 18x1.5	M 18x1.5	M 24x1.5	1084.4	24.0	16.8	22.5	24.25	M 24x1.5	26.5	THM - 18	19.75	6.35
				1051.5									
KNHM 20x2.5	KNHML 20x2.5	M 20x2.5	M 30x2.0	1774.3	30.0	17.5	28.0	30.25	M 30x2.0	34.5	THM - 20	25.75	6.35
				1736.4									
KNHM 20x1.5	KNHML 20x1.5	M 20x1.5	M 30x2.0	1774.3	30.0	17.5	28.0	30.25	M 30x2.0	34.5	THM - 20	25.75	6.35
				1736.4									
KNHM 22x1.5	KNHML 22x1.5	M 22x1.5	M 32x2.0	2045.9	32.0	18.3	30.0	32.25	M 32x2.0	36.5	THM - 22	27.75	6.35
				2014.7									
KNHM 24x3.0	KNHML 24x3.0	M 24x3.0	M 33x2.0	2189.4	33.0	19.0	31.0	33.25	M 33x2.0	37.5	THM - 24	28.75	6.35
				2161.9									
KNHM 24x2.0	KNHML 24x2.0	M 24x2.0	M 33x2.0	2189.4	33.0	19.0	31.0	33.25	M 33x2.0	37.5	THM - 24	28.75	6.35
				2161.9									

Heavy Duty Inserts

Keenserts

Heavy Duty Inserts



PART NO.		DIMENSIONS				INSTALLATION						REMOVAL DATA		
NON-LOCKING	INTERNAL THREAD LOCKING	INTERNAL THREAD CLASS 3B	EXTERNAL THREAD		L	C' BORE DEPTH	A	TAP DRILL DIA.	C'SINK DIA. +.010 -0.000	THREAD TAP		INSTALLATION TOOL PART NUMBER	DRILL	
			* SIZE CLASS 2A	SHEAR ENGAG.						SIZE UNC-2B	MIN. DEPTH		SIZE	DEPTH
*KNH0832J		8 - 32	5/16 - 18	.1517	.31	.04	.29	.272	.323	5/16 - 18	.37	THD 0832L	7/32	1/8
	*KNHL0832J			.0945										
*KNH1032J		10 - 32	3/8 - 16	.1901	.31	.07	.31	.332	.385	3/8 - 16	.43	THD 1032L	9/32	1/8
	*KNHL1032J			.1156										
KNH1024J		10 - 24	3/8 - 16	.1901	.31	.07	.31	.332	.385	3/8 - 16	.43	THD 1024L	9/32	1/8
	KNHL1024J			.1156										
*KNH428J		1/4 - 28	7/16 - 14	.2842	.37	.07	.33	.397	.447	7/16 - 14	.43	THD 428L	11/32	1/8
	*KNHL428J			.1970										
*KNH420J		1/4 - 20	7/16 - 14	.2842	.37	.07	.36	.397	.447	7/16 - 14	.43	THD 420L	11/32	1/8
	*KNHL420J			.1970										
*KNH524J		5/16 - 24	1/2 - 13	.3588	.43	.07	.34	.453	.510	1/2 - 13	.50	THD 524L	13/32	1/8
	*KNHL524J			.2608										
*KNH518J		5/16 - 18	1/2 - 13	.3588	.43	.07	.37	.453	.510	1/2 - 13	.50	THD 518L	13/32	1/8
	*KNHL518J			.2608										
*KNH624J		3/8 - 24	9/16 - 12	.4975	.50	.10	.37	.516	.572	9/16 - 12	.56	THD 624L	15/32	1/8
	*KNHL624J			.3843										
*KNH616J		3/8 - 16	9/16 - 12	.4975	.50	.10	.41	.516	.572	9/16 - 12	.56	THD 616L	15/32	1/8
	*KNHL616J			.3843										
KNH720J		7/16 - 20	5/8 - 11	.7172	.62	.10	.42	.578	.635	5/8 - 11	.68	THD 720L	17/32	3/16
	KNHL720J			.5831										
KNH714J		7/16 - 14	5/8 - 11	.7172	.62	.10	.46	.578	.635	5/8 - 11	.68	THD 714L	17/32	3/16
	KNHL714J			.5831										
*KNH820J		1/2 - 20	11/16 - 11 NS	.8884	.68	.10	.42	.641	.700	11/16 - 11 NS	.75	THD 820L	19/32	3/16
	*KNHL820J			.7368										
*KNH813J		1/2 - 13	11/16 - 11 NS	.8884	.68	.10	.47	.641	.700	11/16 - 11 NS	.75	THD 813L	19/32	3/16
	*KNHL813J			.7368										
KNH918J		9/16 - 18	13/16 - 16	1.2493	.81	.10	.48	.766	.822	13/16 - 16 UN	.94	THD 918L	23/32	3/16
	KNHL918J			1.0247										
KNH912J		9/16 - 12	13/16 - 16	1.2493	.81	.10	.54	.766	.822	13/16 - 16 UN	.94	THD 912L	23/32	3/16
	KNHL912J			1.0247										
KNH1018J		5/8 - 18	7/8 - 14	1.4866	.87	.10	.49	.828	.885	7/8 - 14 UNF	1.00	THD 1018L	25/32	3/16
	KNHL1018J			1.2415										
KNH1011J		5/8 - 11	7/8 - 14	1.4866	.87	.10	.57	.828	.885	7/8 - 14 UNF	1.00	THD 1011L	25/32	3/16
	KNHL1011J			1.2415										
KNH1216J		3/4 - 16	1-1/8 - 12	2.4901	1.12	.10	.68	1.062	1.145	1-1/8 - 12 UNF	1.31	THD 1216L	31/32	5/16
	KNHL1216J			2.4478	1.25									
KNH1210J		3/4 - 10	1-1/8 - 12	2.4901	1.12	.10	.75	1.062	1.145	1-1/8 - 12 UNF	1.31	THD 1210L	31/32	5/16
	KNHL1210J			2.4478	1.25									
KNH1414J		7/8 - 14	1-1/4 - 12	3.1370	1.25	.10	.69	1.187	1.270	1-1/4 - 12 UNF	1.44	THD 1414L	1-3/32	5/16
	KNHL1414J			3.0775	1.37									
KNH1409J		7/8 - 9	1-1/4 - 12	3.1370	1.25	.10	.77	1.187	1.270	1-1/4 - 12 UNF	1.44	THD 1409L	1-3/32	5/16
	KNHL1409J			3.0775	1.37									
KNH1612J		1 - 12	1-3/8 - 12	3.8381	1.37	.10	.78	1.312	1.395	1-3/8 - 12 UNF	1.56	THD 1612L	1-7/32	5/16
	KNHL1612J			3.7929	1.50									
*KNH1608J		1 - 8	1-3/8 - 12	3.8381	1.37	.10	.86	1.312	1.395	1-3/8 - 12 UNF	1.56	THD 1608L	1-7/32	5/16
	*KNHL1608J			3.7929	1.50									