



FUEL BOTTLE STAND - PREMIER BOTTLE



FUEL BOTTLE
NOT INCLUDED

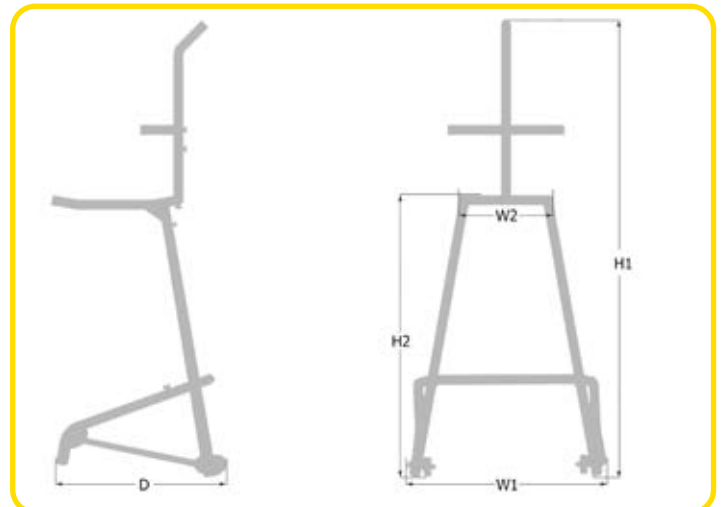
Support de bidon
Ständer für Betankungsanlage
Supporto per tanica
Soporte para botellas de repostaje

This Fuel Bottle Stand offers a sturdy storage solution for the Premier Refuelling Bottle Assembly.

Manufactured from high-grade mild steel with a durable black EDP coating, the stand has been designed to be assembled and disassembled for ease of storage and transportation.

Featuring an adjustable strap to firmly hold the bottle in position when it is being filled and adjustable feet to ensure the stand is level to the ground.

The stand is suitable for various configurations of the Premier Refuelling Bottle, including the Single or Double, Straight or Angled connectors and those bottles with additional breather pipes.



TECHNICAL SPECIFICATIONS

PART NUMBER	131
MATERIAL	MILD STEEL
COLOUR	BLACK
FINISH	EDP COATED
HEIGHT (H1)	1205mm - 47.44"
HEIGHT (H2)	725mm - 28.54"
WIDTH (W1)	540mm - 21.26"
WIDTH (W2)	225mm - 8.86"
DEPTH (D)	450mm - 17.72"
WHEEL DIAMETER	50mm - 2"
WHEEL MATERIAL	RUBBER & NYLON
NETT WEIGHT	6.60kg - 14.55lb
LOADING CAPACITY	35kg - 77.16lb

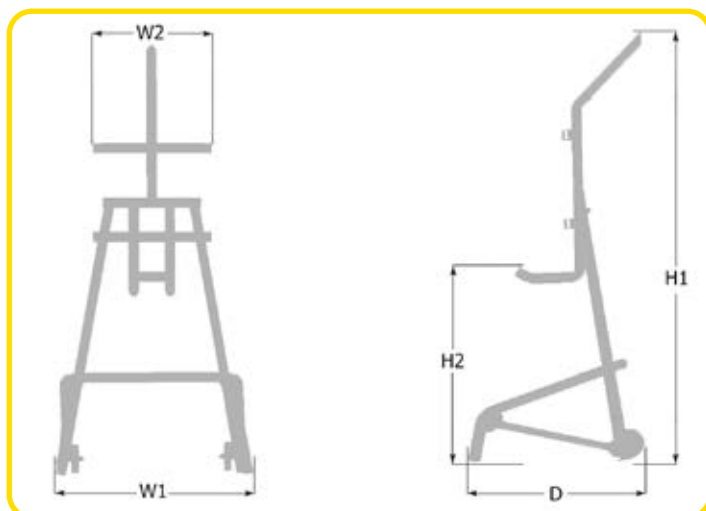
FUEL BOTTLE STAND - ATL BOTTLE

Support de bidon
Ständer für Betankungsanlage
Supporto per tanica
Soporte para botellas de repostaje

The Fuel Bottle Stand for the ATL Refuelling Bottle Assembly is designed with convenience and usability in mind.

Manufactured from high-grade mild steel with a durable black EDP coating, the stand has been designed to be assembled and disassembled for ease of storage and transportation and can stand upright for bottle storage or lay flat for level filling.

The stand is suitable for various configurations of the ATL Refuelling Bottle, including the Single or Double, Straight or Angled connectors and those bottles with additional breather pipes.



TECHNICAL SPECIFICATIONS

PART NUMBER	132
MATERIAL	MILD STEEL
COLOUR	BLACK
FINISH	EDP COATED
HEIGHT (H1)	1190mm – 46.85"
HEIGHT (H2)	515mm – 20.28"
WIDTH (W1)	540mm – 21.26"
WIDTH (W2)	320mm – 12.60"
DEPTH (D)	450mm – 17.72"
WHEEL DIAMETER	50mm – 2"
WHEEL MATERIAL	RUBBER & NYLON
NETT WEIGHT	6.00kg – 13.2lb
LOADING CAPACITY	35kg – 77.16lb