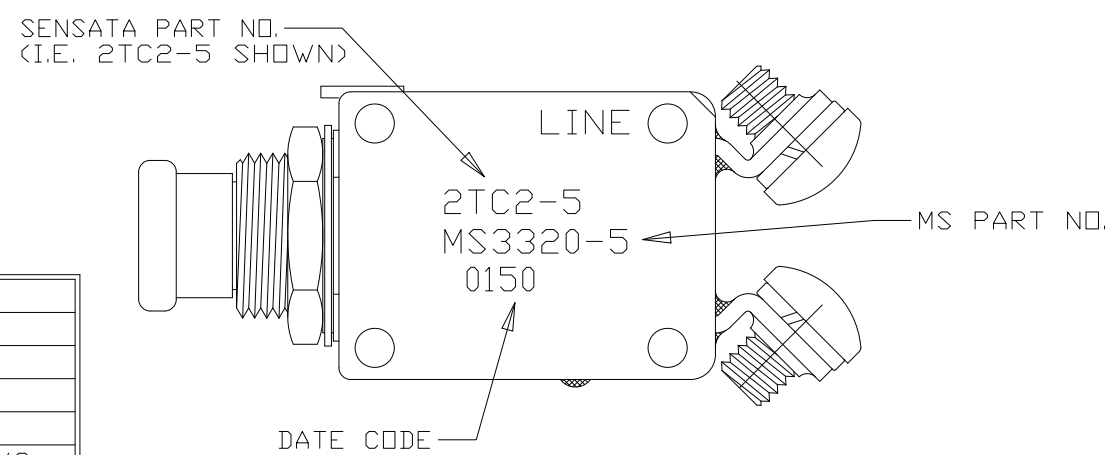
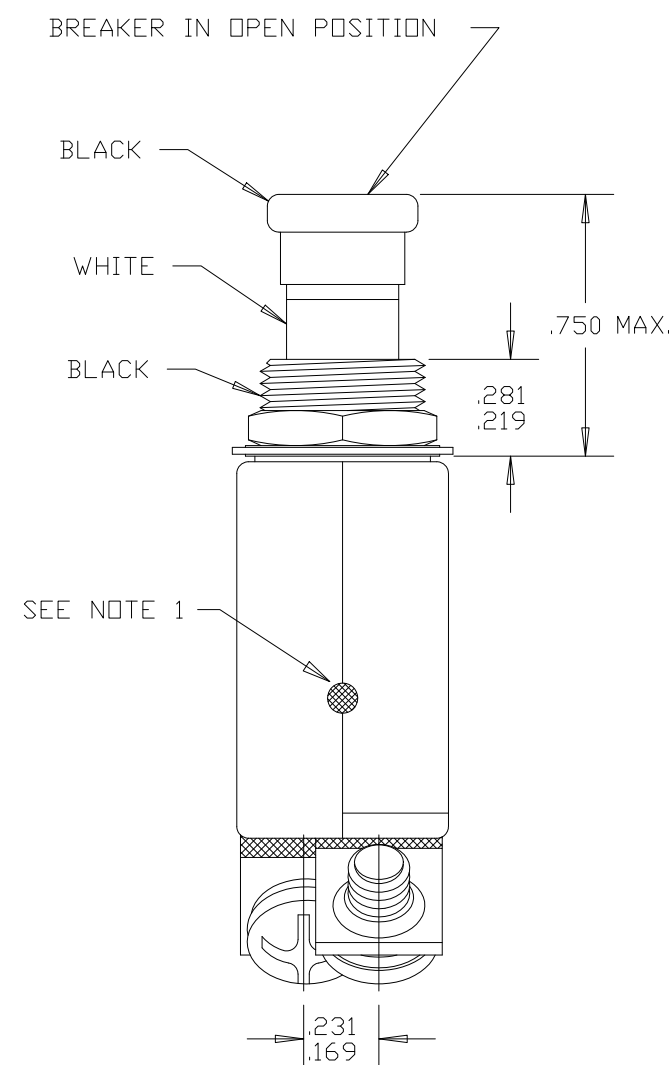
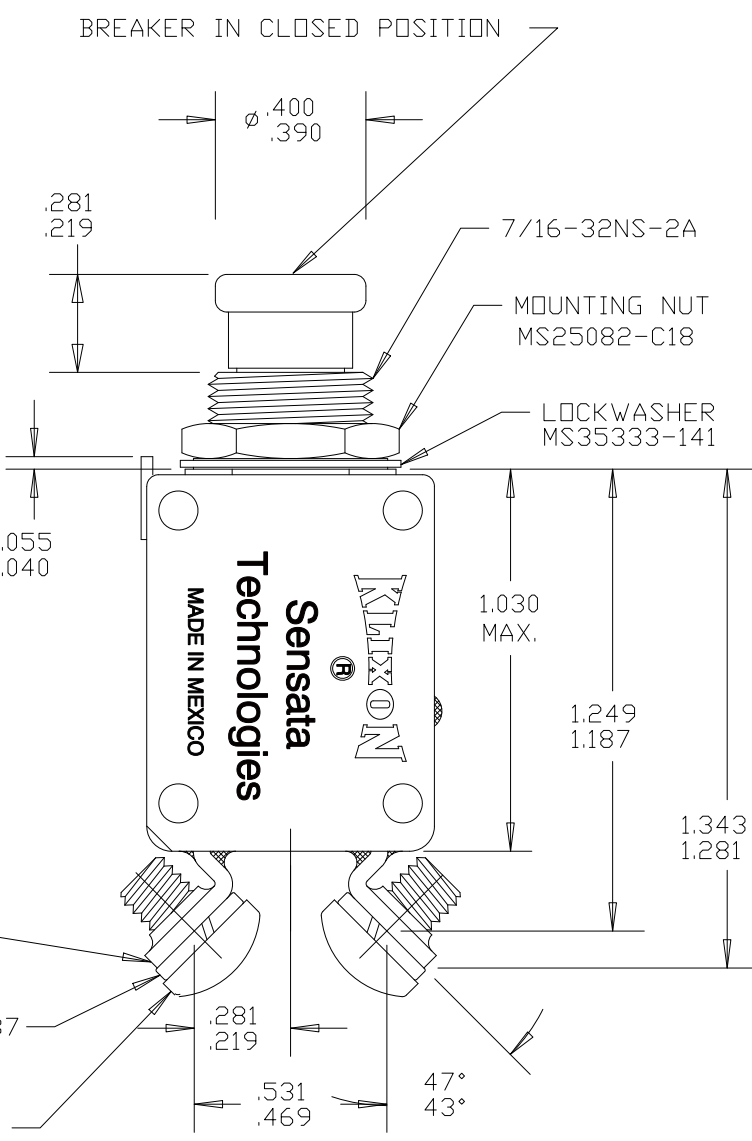
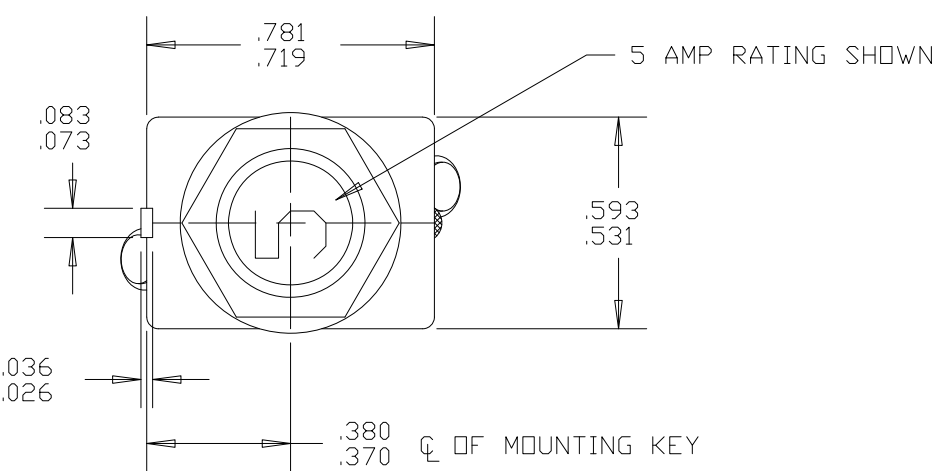


Property of
Sensata Technologies



MARKING
(SEE TABLE)

2TC2-30	N/A
2TC2-25	N/A
2TC2-20	MS 3320-20
2TC2-15	MS 3320-15
2TC2-10	MS 3320-10
2TC2-7 1/2	MS 3320-7-1/2
2TC2-5	MS 3320-5
2TC2-4	MS 3320-4
2TC2-3	MS 3320-3
2TC2-2 1/2	MS 3320-2-1/2
2TC2-2	MS 3320-2
2TC2-1	MS 3320-1
SENSATA PART NO.	MS PART NO.

MARKING TABLE

ZONE	REV.	REVISION DESCRIPTION	ECN NO.	DATE
	AH	ADDED 30 AMP; RW	ECO-053430	25-MAR-2010

PERFORMANCE CHARACTERISTICS

DETAIL PERFORMANCE PER AS 58091

OVERLOAD CYCLING	-----	100 CYCLES AT 200% RATING
VIBRATION	-----	10 G'S MINIMUM 50-500 HZ
MECHANICAL SHOCK	-----	50 G'S
ACCELERATION	-----	10 G'S
SAND AND DUST	-----	12 HOURS
CORROSION	-----	SALT SPRAY 50 HOURS
HUMIDITY	-----	10 DAYS
EXPLOSION PROOF	-----	WHILE INTERRUPTING RUPTURE CURRENTS

ENDURANCE:	120 VAC	400 HZ INDUCTIVE	2500 CYCLES
	30 VDC	400 HZ RESISTIVE	5000 CYCLES
		INDUCTIVE	2500 CYCLES
		RESISTIVE	5000 CYCLES
		NO LOAD	10000 CYCLES

CALIBRATION:	1 AMP THRU 30 AMP				
		MIN. ULT. TRIP	MAX. ULT. TRIP	200%	500%
	+25°C, +77°F	115% RATING	138% RATING	5-20 SEC.	.5-2.0 SEC.
	-55°C, -65°F	115% RATING	160% RATING	7-40 SEC.	.6-3.0 SEC.
	+121°C, +250°F	100% RATING	138% RATING	3-13 SEC.	.33-1.1 SEC.
					.12-.53 SEC.
					.16-.8 SEC.
					.07-.3 SEC.

RUPTURE:	1 AMP	120 VAC, 400 HZ	3500 AMPS
	2 AND 2 1/2 AMP	120 VAC, 400 HZ	2800 AMPS
	3 THRU 15 AMP	120 VAC, 400 HZ	2500 AMPS
	20 AMP	120 VAC, 400 HZ	2000 AMPS
	25 AND 30 AMP	120 VAC, 400 HZ	1800 AMPS
	1 THRU 20 AMP	28 VDC	6000 AMPS
	25 AND 30 AMP	28 VDC	1625 AMPS

MAXIMUM OPERATING FORCES

PULL OUT	-----	5 LBS. MAX. (22.2 N)
RESET	-----	5 LBS. MAX. (22.2 N)

OPERATING ALTITUDE: 70,000 FT. (21,000 M)

WEIGHT: 25.0 GRAMS MAX.

VOLTAGE DROP:

1 AMP	-----	1.10 VOLTS MAX.
2 AMP	-----	0.70 VOLTS MAX.
2 1/2 AMP	-----	0.50 VOLTS MAX.
3 AMP	-----	0.40 VOLTS MAX.
4 AMP	-----	0.37 VOLTS MAX.
5 AMP	-----	0.35 VOLTS MAX.
7 1/2 AMP	-----	0.30 VOLTS MAX.
10 AMP	-----	0.28 VOLTS MAX.
15 AMP	-----	0.25 VOLTS MAX.
20 AMP	-----	0.25 VOLTS MAX.
25 AMP	-----	0.20 VOLTS MAX.
30 AMP	-----	0.20 VOLTS MAX.

NOTES:

1. EPOXY SURFACES ARE NON-DIMENSIONED, ENVELOPE DRAWING DIMENSIONS DO NOT APPLY TO THESE PROJECTED EPOXY SURFACES.
2. TERMINAL AND MOUNTING HARDWARE MAY BE PACKAGED RATHER THAN INSTALLED
3. COUNTRY OF ORIGIN IS SHOWN FOR ILLUSTRATION PURPOSES ONLY, COUNTRY OF ORIGIN TO BE IDENTIFIED AS REQUIRED.
4. DATE CODE PER 10588-285.
5. MARK IN APPROXIMATE POSITION SHOWN WITH BLACK INK PER 12506-70.

FOR REFERENCE ONLY, CHECK LATEST REVISION BEFORE USE. PARTS MADE TO THIS PRINT MUST CONFORM TO E9898 REV. E		529 PLEASANT STREET P.O. BOX 2964 ATTLEBORO, MA 02703	
DRAWN TOM DAIL	DATE 30-OCT-1989	SENSATA TECHNOLOGIES PROPRIETARY AND CONFIDENTIAL. NEITHER THIS PRINT NOR THE INFORMATION CONTAINED HEREON IS TO BE USED AGAINST THE INTERESTS OF SENSATA TECHNOLOGIES OR AGAINST THE INTERESTS OF ANY OF ITS AFFILIATED COMPANIES OR WHOLLY OWNED SUBSIDIARIES.	
ENGINEER JACQUES CHAMMAS	DATE 04-DEC-1989		
APPROVED	DATE	UNLESS OTHERWISE SPECIFIED DIMENSIONS ARE IN INCHES TOLERANCES DECIMALS ANGLES	SIZE C
APPROVED	DATE	DO NOT SCALE DRAWING	DWG NO. 2TC2
DATE	DATE	THIRD ANGLE PROJECTION	REV. AH
			SCALE 1:1 AUTOCAD SHEET 1 OF 1

| 2TC SERIES

1–25 Amp, Single–Phase, Miniature Ambient Compensated

Introduction

Klixon® single–phase TC devices are the smallest, lightest high performance aircraft circuit breakers available today. They represent the state-of-the-art protection of today’s aerospace power systems. Their light weight and small size make them especially well suited for aircraft, avionics and electronic systems. The Klixon® trademark has set the standard for aerospace circuit breakers and the TC series offers the endurance and reliability required by exacting military specifications.



Features

- Miniature size
- Light weight
- Trip–free design
- Current ratings (1 to 25 amps)
- High vibration resistance
- High interrupting capacity
- Coordinated ratings
- AS58091 qualified (Also: Military Approvals, FAA PMA)
- Typical end use: Aircraft power distribution systems

PERFORMANCE CHARACTERISTICS

Vibrations	10G minimum, 50–500 Hz (other vibration levels available)	
Mechanical Shock	50G	
Acceleration	10G	
Weight	24 gram maximum (2TC14)	
Interrupt Current	1–20 amps: 6,000 amps at 28 VDC 25 amps: 1,625 amps at 28 VDC 1–15 amps: 2,500 amps at 120 VAC, 400 Hz	20 amps: 2,000 amps at 120 VAC, 400 Hz 25 amps: 1,800 amps at 120 VAC, 400 Hz
Endurance	2,500 cycles: 120 VAC, 400 Hz inductive 5,000 cycles: 120 VAC, 400 Hz resistive 2,500 cycles: 30 VDC inductive	5,000 cycles: 30 VDC resistive 10,000 cycles: Mechanical, no load



CALIBRATION CHART

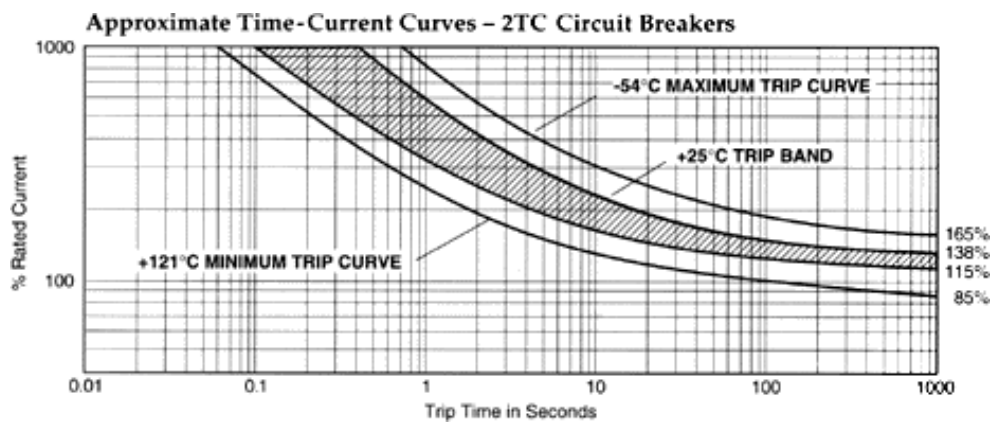
For a Standard Device

Temp.	Minimum Ultimate Trip	Maximum Ultimate Trip	Trip Time (in seconds)		
			200%	500%	1000%
25°C	115%	138%	4–16	0.40–1.60	0.10–0.40
-54°C	115%	165%	7–35	0.60–3.00	0.15–0.70
121°C	85%	145%	2–13	0.25–1.00	0.06–0.25

For others, please contact us.



TRIP CURVE



VOLTAGE DROP

Amp Rating	Max. Voltage Drop*
1	1.10
2	0.70
2 ½	0.50
3	0.40
4	0.45
5	0.35
7 ½	0.30
10	0.28
15	0.25
20	0.25
25	0.20

**Maximum voltage drop at nominal rated current.*



ORDERING OPTIONS

Example: 2TC2-25

2TCX - **X**

Family

- 2TC2
- 2TC14
- 25C27
- 25C49

Amp Rating

- 1 = 1 amp
- 2 = 2 amp
- 2 ½ = 2 ½ amp
- 3 = 3 amp
- 4 = 4 amp
- 5 = 5 amp
- 7 ½ = 7 ½ amp
- 10 = 10 amp
- 15 = 15 amp
- 20 = 20 amp
- 25 = 25 amp