

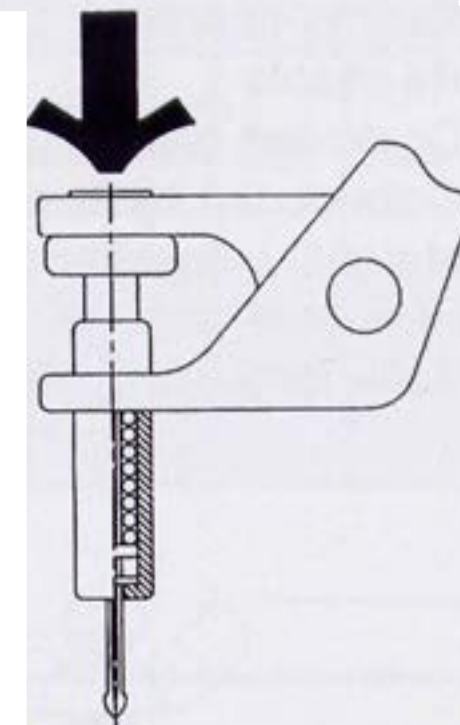
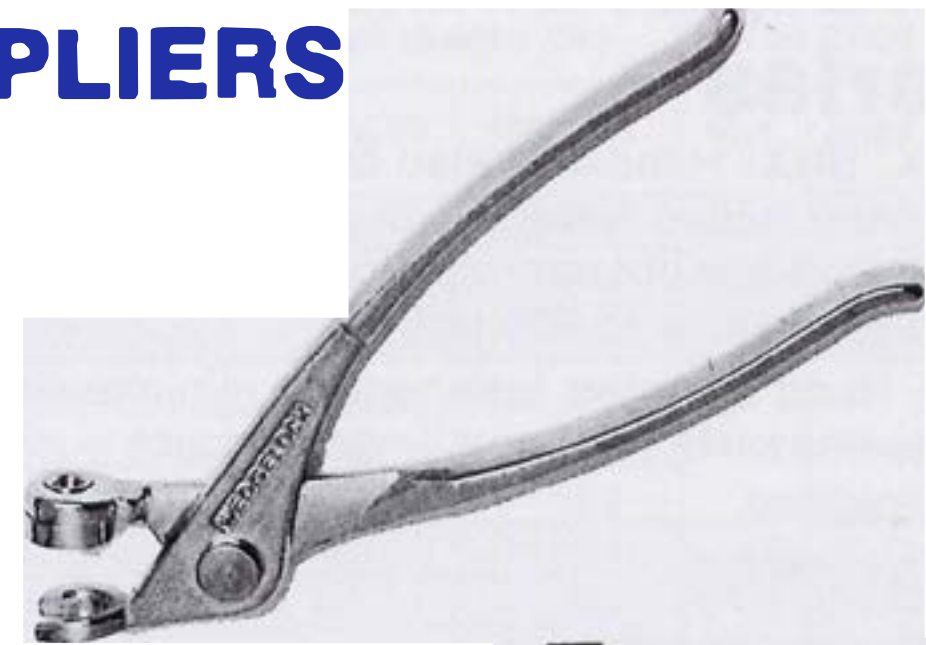
PLIER OPERATED TEMPORARY FASTENERS

| HOLE DIA. (mm) | GRIP RANGE (mm) | STANDARD | | MINIATURE | | HEAVY DUTY | | COLOR CODE | | DRILL SIZE (mm) |
|-------------------|--------------------|-------------|------------------|-------------|------------------|-------------|------------------|------------|--------|--------------------|
| | | PART NUMBER | BODY LENGTH (mm) | PART NUMBER | BODY LENGTH (mm) | PART NUMBER | BODY LENGTH (mm) | RIVET | BODY | |
| 2.0 | 0-6.5 | M 2.0 | 369 | MM-2.0 | 21 | | | Brass | Black | 2.0 |
| | 0-13 | | | | | MHD-2.0 | 28.1 | | | |
| 2.5 | 0-6.5 | M-2.5 | 369 | MM 2.5 | 21 | | | Silver | Silver | 2.5 |
| | 0-13 | | | | | MHD-2.5 | 28.1 | | | |
| 3.0 | 0-6.5 | M 3.0 | 369 | MM-3.0 | 21 | | | Copper | Copper | 3.0 |
| | 0-13 | | | | | MHD-3.0 | 28.1 | | | |
| 3.5 | 0-6.5 | M-3.5 | 369 | MM-3.5 | 21 | | | Brass | Copper | 3.5 |
| | 0-13 | | | | | MHD-3.5 | 28.1 | | | |
| 4.0 | 0-6.5 | M-4.0 | 369 | MM-4.0 | 21 | | | Black | Black | 4.0 |
| | 0-13 | | | | | MHD-4.0 | 28.1 | | | |
| 4.5 | 0-6.5 | M-4.5 | 369 | MM-4.5 | 21 | | | Silver | Brass | 4.5 |
| | 0-13 | | | | | MHD-4.5 | 28.1 | | | |
| 5.0 | 0-6.5 | M 5.0 | 369 | MM-5.0 | 21 | | | Copper | Brass | 5.0 |
| | 0-13 | | | | | MHD-5.0 | 28.1 | | | |

PROTECTIVE CAPS

Vinyl Protective caps are available for use with Monogram's M & MHD fasteners. The caps protect structure surfaces from galvanic corrosion and scratches. See page 6 for Ordering Information.

PLIERS



Monogram's #200 plier offers a straight forward approach for fastening "M" type fasteners. A specially designed "body seat" holds the fastener body still while the plunger is being depressed. Installation and removal time is minimal.