

# RERS

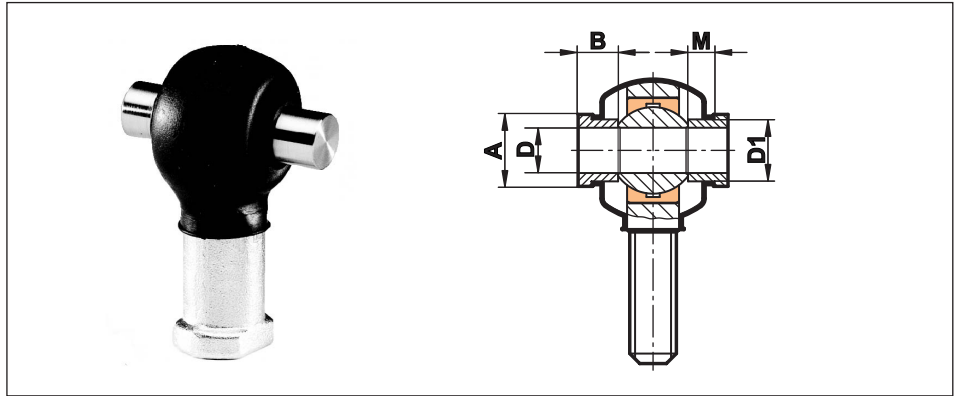
Rubber Protector Caps  
made from Neoprene

Protects against dust,  
chemical substances  
and aggressive environ-  
ment. Resistant to oil,  
grease, saltwater, chem-  
ical components and  
other substances.

Temperature range from  
-20° till +120° Celsius  
or -4° till +248° Fahren-  
heit.

Can be completely filled  
with grease. Mounted  
easily with Seeger re-  
taining pliers

\* Spacers separately on  
request



Rod End Size	Rubber Protector Cap Type	Spacers Type*	D	D1	B	M	A
6	RERS 1	DR 6	6	8,7	6	4	11
8	RERS 1	DR 8	8	10,3	6	4	12
10	RERS 2	DR 10	10	12,5	6	4	14
12	RERS 2	DR 12	12	15,0	8	6	17
14	RERS 3	DR 14	14	16,8	8	6	19
16	RERS 3	DR 16	16	19,0	8	6	21
18	RERS 3	DR 18	18	21,8	8	6	25
20	RERS 4	DR 20	20	24,3	10	8	28
22	RERS 4	DR 22	22	25,7	10	8	29
25	RERS 4	DR 25	25	29,7	10	8	33
30	RERS 5						
35	RERS 5						