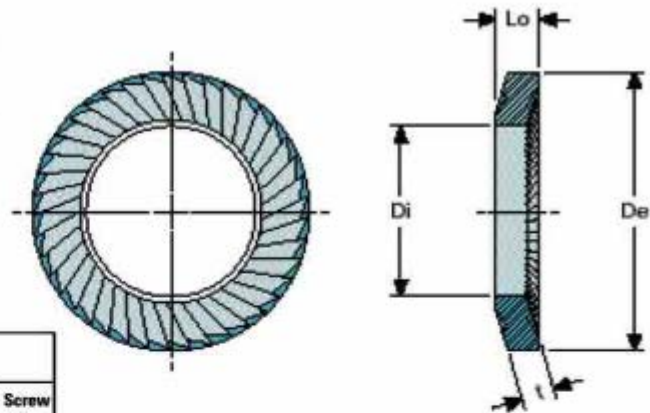


Based on the disc spring concept, this range of safety washers has the unique feature of radial serrations on both the concave and convex surfaces. When final flattening of the safety washers occurs with tightening of the screw, these serrations bite into the mating faces, thus preventing loosening of the screw due to vibration etc. In addition, the disc spring profile will assist in retaining the required screw tension.

Compared with a conventional disc spring, or Belleville spring washer, the safety washer offers a reduced outside diameter. This corresponds to most screw head sizes, and is particularly compatible with the hexagonal socket type screw.



"S" Type - Light Duty

Code No.	Screw Size mm	Outside Dia. De	Inside Dia. Di	Thickness t	Overall Height Lo	Weight Kg per 1000	Screw Size Inch
S3217035	1.60	3.20	1.70	0.35	0.60	0.016	
S422035	2.00	4.00	2.20	0.35	0.60	0.017	
S4827045	2.50	4.80	2.70	0.45	0.90	0.040	
S5532045	3.00	5.50	3.20	0.45	0.90	0.044	1/8
S637045	3.50	6.00	3.70	0.45	0.90	0.049	
S74305	4.00	7.00	4.30	0.50	1.00	0.077	5/32
S95306	5.00	9.00	5.30	0.60	1.10	0.167	3/16
S106407	6.00	10.00	6.40	0.70	1.20	0.206	
S956707	6.35	9.50	6.70	0.70	1.20	0.168	1/4
S127407	7.00	12.00	7.40	0.70	1.30	0.312	
S138408	8.00	13.00	8.40	0.80	1.40	0.402	5/16
S161051	10.00	16.00	10.50	1.00	1.60	0.773	3/8
S1591161	11.10	15.90	11.60	1.00	1.60	0.660	7/16
S181311	12.00	18.00	13.00	1.10	1.70	0.970	
S1913711	12.70	19.00	13.70	1.10	1.80	1.082	1/2
S221512	14.00	22.00	15.00	1.20	2.00	1.805	
S241713	16.00	24.00	17.00	1.30	2.10	2.115	5/8
S271915	18.00	27.00	19.00	1.50	2.30	2.945	
S302015	19.00	30.00	20.00	1.50	2.40	4.080	3/4
S302115	20.00	30.00	21.00	1.50	2.40	3.710	
S332315	22.00	33.00	23.00	1.50	2.50	4.548	7/8
S3625618	24.00	36.00	25.60	1.80	2.70	6.260	
S38272	25.40	38.00	27.00	2.00	2.80	7.220	1
S392862	27.00	39.00	28.60	2.00	2.90	6.880	
S453162	30.00	45.00	31.60	2.00	3.20	11.320	1 1/8
S543825	36.00	54.00	38.00	2.50	4.00	21.900	

"VS" Type - Medium Duty

Code No.	Screw Size mm	Outside Dia. De	Inside Dia. Di	Thickness t	Overall Height Lo	Weight Kg per 1000	Screw Size Inch
VS9531	5.00	9.00	5.30	1.00	1.30	0.29	3/16
VS10641	6.00	10.00	6.40	1.00	1.40	0.31	
VS138412	8.00	13.00	8.40	1.20	1.70	0.59	5/16
VS1610515	10.00	16.00	10.50	1.50	2.00	1.12	3/8
VS181315	12.00	18.00	13.00	1.50	2.10	1.12	
VS221515	14.00	22.00	15.00	1.50	2.20	1.90	
VS24172	16.00	24.00	17.00	2.00	2.60	2.70	1/2
VS27192	18.00	27.00	19.00	2.00	2.70	3.53	
VS30212	20.00	30.00	21.00	2.00	2.80	4.35	
VS33232	22.00	33.00	23.00	2.00	2.90	5.84	7/8
VS3625625	24.00	36.00	25.60	2.50	3.30	8.00	
VS3928625	27.00	39.00	28.60	2.50	3.40	7.66	
VS4531625	30.00	45.00	31.60	2.50	3.60	13.70	1 1/8

Note:- "Lo" is maximum dimension in delivered condition.

Material:- Carbon spring steel.

Surface Treatment:- Black.

Other materials and surface treatments available upon request.

All dimensions in mm. unless otherwise specified.