

**Material Key:**

B: Brass, C: Stainless Steel, CH: Chrome Plated, D: Aluminium, P: Zinc Plated Carbon Steel, Z1: Silver Plated Carbon Steel

**W991****Additional information**

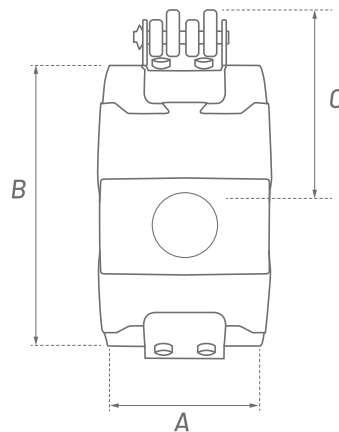
**Flexibility:** (Max. angular misalignment)  
± 4° total angular tube flexure)

**Flexure capability:** 28.000 per 3° flexure

**Axial movement:** Up to +1/8 inch from initially centred.

**Electrical bonding:** (Resistance)  
Conforms to MIL-B5087.class SA (< 1 ohm)

**Qualification specification:** MIL-C-22263

**Wiggins Coupling**

Wiggins W900 Clamshell Couplings are “quick release” couplings designed for use with low/medium pressure (Operating pressure 125 PSI) fabricated aluminium, water, oil and air. The unique design of the clamp allows for +/- 4° of angular misalignment and also 6.35mm total axial movement with rigid pipe/ tube assemblies. In addition, Goodridge manufacture and supply a range of compatible weld ferrules, sleeves and light weight fittings designed to connect directly to Wiggins W900 couplings – available in Goodridge G-Line Ultra 960, 711 & 4000 series. The W900 meets the military and aerospace specification AS1650 and MIL-C-22263.

**Operating pressure:**

125 psi

**Proof pressure:**

250 psi

**Burst pressure:**

375 psi

**Operating temperature:**

-120°F to +800°F (depending on coupling material)

**Seals:**

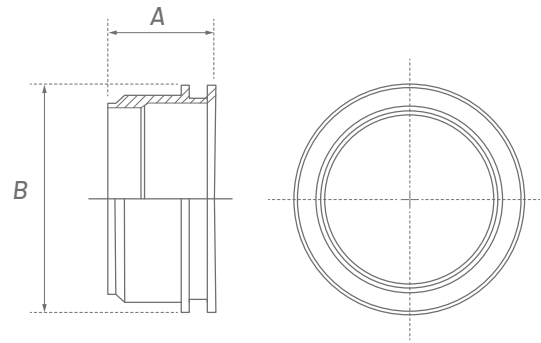
Uses standard AS568 O-Ring sizes provided by user, with O-Ring material selected to suit the application.

Part No.	Outer tube Ø	Material	A max.	B max.	C max.	Weight	O-Ring ref.	Sleeve ref.
W991-08DE	0,500"	D	0.739"	0.851"	0.90"	0.034 lbs	FCO-08V	W908-08D
W991-10DE	0,625"	D	0.739"	0.976"	0.96"	0.038 lbs	FCO-10V	W908-10D
W991-12DE	0,750"	D	0.829"	1.156"	1.04"	0.043 lbs	FCO-12V	W908-12D
W991-16DE	1"	D	0.923"	1.432"	1.16"	0.052 lbs	FCO-16V	W908-16D
W991-20DE	1,250"	D	0.923"	1.682"	1.27"	0.058 lbs	FCO-20V	W908-20D
W991-24DE	1,500"	D	0.923"	1.952"	1.40"	0.062 lbs	FCO-24V	W908-24D
W991-28DE	1,750"	D	0.923"	2.211"	1.52"	0.070 lbs	FCO-28V	W908-28D
W991-32DE	2"	D	0.989"	2.505"	1.66"	0.083 lbs	FCO-32V	W908-32D
W991-40DE	2,5"	D	0.989"	2.996"	1.90"	0.097 lbs	FCO-40V	W908-40D
W991-48DE	3"	D	0.989"	3.554"	2.17"	0.144 lbs	FCO-48V	W908-48D
W991-56DE	3,5"	D	0.989"	4.008"	2.43"	0.176 lbs	FCO-56V	W908-56D

**Wiggins weld ferrule**

Weld ferrule for Wiggins clamshell couplings.

**W903**



Part No.	Tube OD	Mat	A max.	B max.	Weight	O-Ring
W903-08D	0,500"	D	0.749"	0.689"	0.010 lbs	FCO-08V
W903-10D	0,625"	D	0.749"	0.814"	0.012 lbs	FCO-10V
W903-12D	0,750"	D	0.783"	0.994"	0.016 lbs	FCO-12V
W903-16D	1"	D	0.838"	1.270"	0.022 lbs	FCO-16V
W903-20D	1,250"	D	0.838"	1.520"	0.027 lbs	FCO-20V
W903-24D	1,500"	D	0.838"	1.790"	0.033 lbs	FCO-24V
W903-28D	1,750"	D	0.838"	2.040"	0.038 lbs	FCO-28V
W903-32D	2"	D	0.854"	2.313"	0.047 lbs	FCO-32V
W903-40D	2,5"	D	0.854"	2.813"	0.056 lbs	FCO-40V
W903-48D	3"	D	0.854"	3.313"	0.069 lbs	FCO-48V
W903-56D	3,5"	D	0.854"	3.823"	0.081 lbs	FCO-56V

**Wiggins O-ring**

**FCO**



**WIGGINS O-RING**

Part No.	For connector/ferrule
FCO-08V	-08
FCO-10V	-10
FCO-12V	-12
FCO-16V	-16
FCO-20V	-20
FCO-24V	-24
FCO-28V	-28
FCO-32V	-32
FCO-40V	-40
FCO-48V	-48
FCO-56V	-56